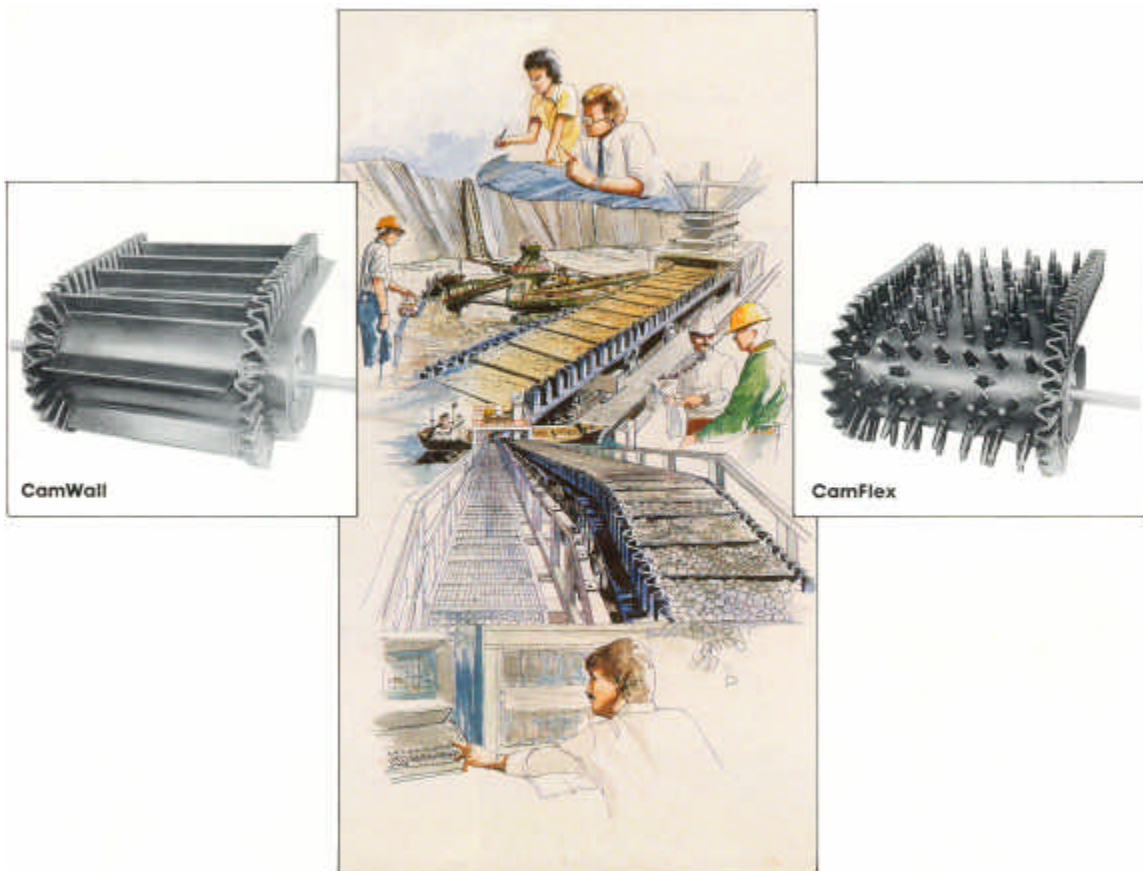


# CamWall/CamFlex

**HIGH INCLINE FLEXIBLE SIDEWALL BELT CONVEYORS**

---

NO GLUED ON SIDEWALLS  
NO GLUED ON CLEATS  
NO DOWN TIME



NO LOST PRODUCTION  
NO COSTLY REPAIRS DUE TO SIDEWALL SEPARATION  
NO NEED FOR 24 HOUR EMERGENCY SERVICE

Cambelt International's BREAKTHROUGH in fully molded rubber belt technology  
Now offers a solution to all these costly and aggravating problems

## CamWall

Cambelt will design, fabricate, and build a new conveyor system to meet your specific conveyor needs. We also offer a full range of replacement belting for most existing conveyor systems.

### ONE-PIECE CONSTRUCTION

Flexible Sidewall Conveyor Belting, with the sidewall, the cleat and the base belt all simultaneously molded into a rugged, one piece homogenously cured product, available only through Cambelt International Corporation.



In the past, these belts had to be molded and cured as three separate components, and bonded together to form the desired configuration. Historically, the single biggest problem with this type of belt construction has been delamination or separation of the sidewall and/or cleat from the base belt when put under the stresses inherent in flexing around pulleys and being put under load.

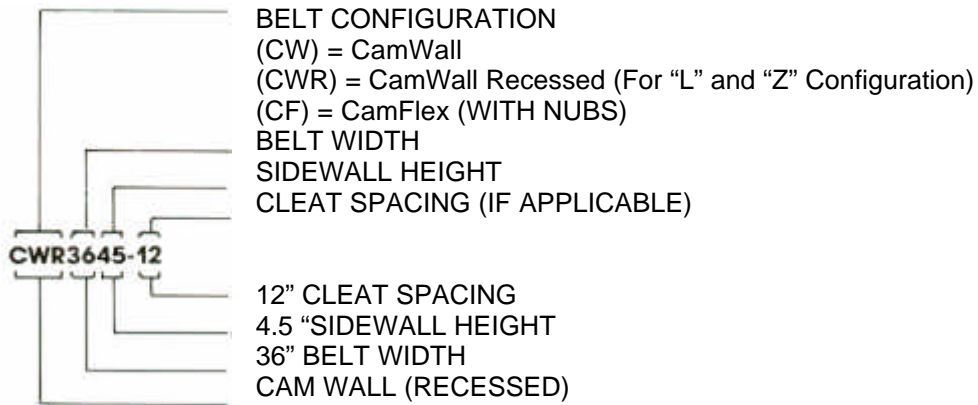
Goodbye separation problems  
- Hello one piece molded construction.



CamWall



## Explanation of Typical Nomenclature



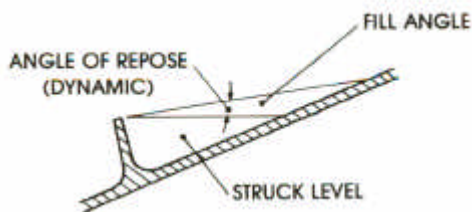
## Belt Compounds

- A – Black – General Purpose
- B – Black – Oil & Fat Resistant
- C – Black – Heat Resistant
- D – Black – Flame Retardant
- E – Black – MSHA Approved
- F – Black – Conductive
- G – White – Standard
- H – White – Oil & Fat Resistant

## Belt Widths Available

Sidewall Height...3"	18"	24"	30"	36"					
Sidewall Height...4.5"		24"	30"	36"	42"	48"			
Sidewall Height...6"		24"	30"	36"	42"	48"	54"	60"	

## Theoretical Product Carrying Capacities

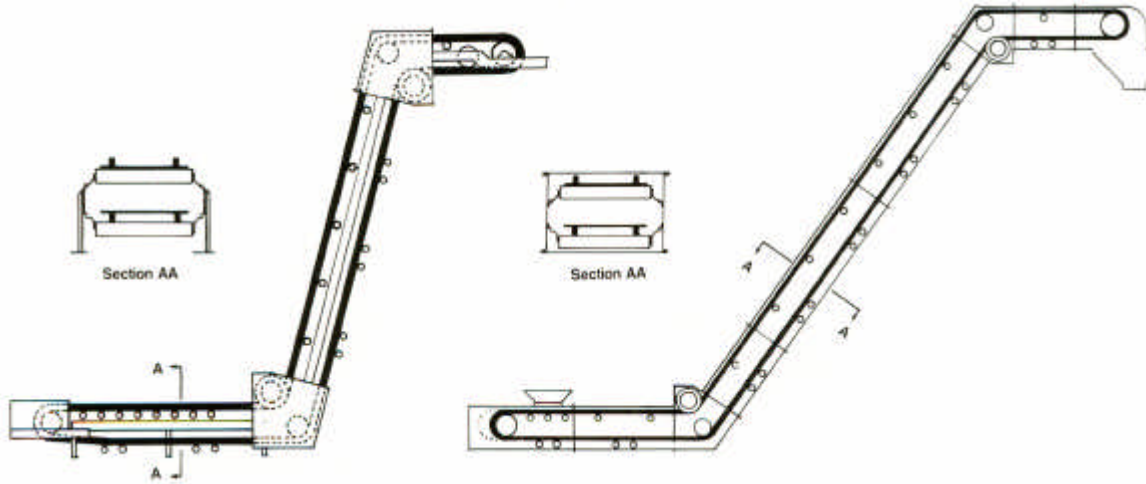


To obtain a volume per cleat, the theoretical carrying capacities are calculated by adding the area of the struck angle and the area of the fill angle (dynamic angle of repose) multiplied by the inside belt width. Cleat spacing and belt speed will vary the carrying capacity of the belt.

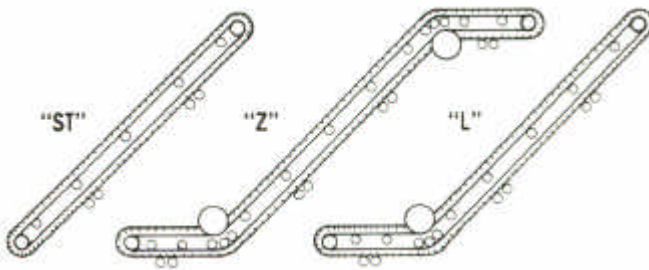
## CamWall High Incline Flexible Sidewall Belt Conveyors

CamWall conveyors come in either heavy duty industrial construction or sanitary stainless steel construction with white food grade belt. They may be open or totally enclosed as required, to provide necessary environmental control, contain dust and fumes prevent contamination, or

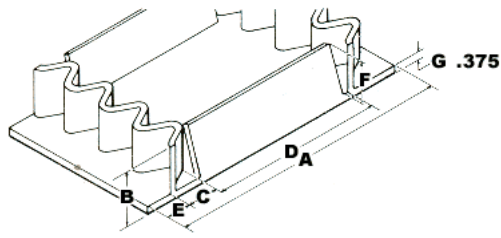
isolate the product from external atmospheric conditions. Enclosed and open conveyors are factory pre-assembled modular construction.



### Typical CamWall Conveyor Configurations



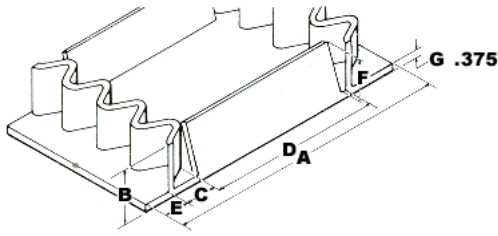
CamWall conveyors are suitable for an infinite variety of applications in many industries from food processing to mining. They can handle virtually any bulk material, and offer the advantage of being able to convey horizontal and elevate at a steep angle of incline (up to 60° and higher) on a single, continuous belt. They may be built in horizontal, incline, L, or Z configurations for lateral movement of materials or for elevation to process intakes, bins, stockpiles, etc.



**CamWall Recessed (CWR)**  
 3" (30) – 4.5" (45) Sidewall Height  
 Use When Turn Sections Are Required  
 Capacity – ft 3/hr @ 100 FPM Speed

Model	A	B	C	D	E	F	Cleat Sp.	Belt Width # FT
CWR1830-0	18	3.375	1.75	8.5	3		0	5.625
CWR1830-6	18	3.375	1.75	8.5	3	2.625	6	7
CWR1830-12	18	3.375	1.75	8.5	3	2.625	12	6.375
CWR2430-0	24	3.375	1.75	14.5	3		0	6.875
CWR2430-6	24	3.375	1.75	14.5	3	2.625	6	9
CWR2430-12	24	3.375	1.75	14.5	3	2.625	12	8
CWR3030-0	30	3.375	1.75	20.5	3		0	8
CWR3030-6	30	3.375	1.75	20.5	3	2.625	6	11.125
CWR3030-12	30	3.375	1.75	20.5	3	2.625	12	9.5
CWR3630-0	36	3.375	1.75	26.5	3		0	9.125
CWR3630-6	36	3.375	1.75	26.5	3	2.625	6	13.25
CWR3630-12	36	3.375	1.75	26.5	3	2.625	12	11.25
CWR2445-0	24	4.875	2.5	13	3		0	8.125
CWR2445-6	24	4.875	2.5	13	3	4.5	6	12
CWR2445-12	24	4.875	2.5	13	3	4.5	12	10.25
CWR3045-0	30	4.875	2.5	19	3		0	9.25
CWR3045-6	30	4.875	2.5	19	3	4.5	6	14.625
CWR3045-12	30	4.575	2.5	19	3	4.5	12	12.125
CWR3645-0	36	4.875	2.5	25	3		0	10.375
CWR3645-6	36	4.875	2.5	25	3	4.5	6	17.5
CWR3645-12	36	4.875	2.5	25	3	4.5	12	14.125
CWR4245-0	42	4.875	2.5	31	3		0	11.5
CWR4245-6	42	4.875	2.5	31	3	4.5	6	20.25
CWR4245-12	42	4.875	2.5	31	3	4.5	12	16.125
CWR4845-0	48	4.875	2.5	37	3		0	12.625
CWR4845-6	48	4.875	2.5	37	3	4.5	6	23.26
CWR4845-12	48	4.875	2.5	37	3	4.5	12	18.375

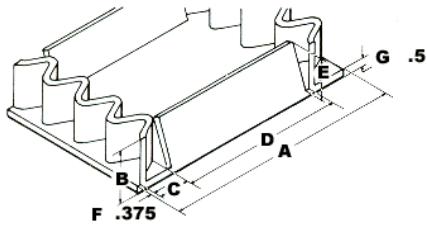
Model	Angle of Incline																		
	0			15			30			45			60			25			
	10	20	30	10	20	30	10	20	30	10	20	30	10	20	30	10	20	30	
CWR1830-0	1025	1150	1296																
CWR1830-6				677	754	754	496	645	757	333	441	583	171	228	332	101	149	199	
CWR1830-12				654	814	814	269	479	785	127	201	330	91	126	117	52	78	105	
CWR2430-0	1940	2304	2742																
CWR2430-6				1185	1319	1319	867	1129	1324	583	771	1021	298	339	581	176	261	349	
CWR2430-12				1145	1425	1425	471	839	1373	223	352	577	159	220	310	91	137	184	
CWR3030-0	2979	3760	4646																
CWR3030-6				1693	1885	1885	1239	1613	1892	833	1101	1458	426	571	831	251	372	499	
CWR3030-12				1635	2036	2036	673	1198	1962	319	503	824	228	315	443	130	195	263	
CWR3630-0	4144	5498	6988																
CWR3630-6				2201	2450	2450	1611	2096	2459	1083	1432	1896	554	742	1080	327	484	648	
CWR3630-12				2126	2647	2647	875	1557	2550	414	655	1072	296	409	576	169	254	342	
CWR2445-0	2397	2703	3050																
CWR2445-6				2034	2149	2149	1671	1917	2149	1229	1536	1797	738	1048	1391	409	615	879	
CWR2445-12				1995	2246	2246	1201	1740	2245	328	943	1477	369	524	761	205	308	440	
CWR3045-0	3751	4420	5180																
CWR3045-6				3011	3180	3180	2472	3829	3180	1819	2254	2659	1092	1551	2059	606	911	1301	
CWR3045-12				2952	3324	3324	1778	2576	3325	929	1395	2186	546	776	1127	303	455	651	
CWR3645-0	5238	6411	7745																
CWR3645-6				3986	4211	4211	3274	3757	4211	2410	3012	3522	1446	2053	2725	803	1206	1723	
CWR3645-12				3910	4402	4402	2355	3410	4402	1230	1847	2895	723	1027	1492	402	604	862	
CWR4245-0	6856	8674	10742																
CWR4245-6				4932	5242	5242	4075	4677	5242	3000	3749	4385	1800	2566	3393	1000	1502	2146	
CWR4245-12				4867	5481	5481	2932	4246	5481	1532	2299	3604	901	1279	1858	500	751	1073	
CWR4845-0	8407	11211	14172																
CWR4845-6				5939	6274	6274	4877	5597	6274	3589	4487	5247	2155	3060	4061	1196	1797	2568	
CWR4845-12				5812	6559	6559	3508	5031	6559	1833	2752	4313	1077	1529	2223	5998	898	1283	



**CamWall Recessed (CWR)**  
 6" (60) Sidewall Height  
 Use When Turn Sections Are Required  
 Capacity – ft 3/hr @ 100 FPM Speed

Model	A	B	C	D	E	F	Cleat Spacing	Belt WT. (#/FT)
CWR2460-0	24	6.5	2.5	11	4		0	11.5
CWR2460-8	24	6.5	2.5	11	4	6	8	15
CWR2460-16	24	6.5	2.5	11	4	6	16	13.75
CWR2460-24	24	6.5	2.5	11	4	6	24	11.704
CWR3060-0	30	6.5	2.5	17	4		0	12.75
CWR3060-8	30	6.5	2.5	17	4	6	8	18.5
CWR3060-16	30	6.5	2.5	17	4	6	16	15.5
CWR3060-24	30	6.5	2.5	17	4	6	24	13.35
CWR3660-0	36	6.5	2.5	23	4		0	14.25
CWR3660-8	36	6.5	2.5	23	4	6	8	22
CWR3660-16	36	6.5	2.5	23	4	6	16	18.5
CWR3660-24	36	6.5	2.5	23	4	6	24	15.56
CWR4260-0	42	6.5	2.5	29	4		0	15.75
CWR4260-8	42	6.5	2.5	29	4	6	8	26
CWR4260-16	42	6.5	2.5	29	4	6	16	21
CWR4260-24	42	6.5	2.5	29	4	6	24	16.96
CWR4860-0	48	6.5	2.5	35	4		0	17.25
CWR4860-8	48	6.5	2.5	35	4	6	8	29.5
CWR4860-16	48	6.5	2.5	35	4	6	16	23.5
CWR4860-24	48	6.5	2.5	35	4	6	24	18.72
CWR5460-0	54	6.5	2.5	41	4		0	19
CWR5460-8	54	6.5	2.5	41	4	6	8	33.5
CWR5460-16	54	6.5	2.5	41	4	6	16	26
CWR5460-24	54	6.5	2.5	41	4	6	24	20.18
CWR6060-0	60	6.5	2.5	47	4		0	20.25
CWR6060-8	6	6.5	2.5	47	4	6	8	37
CWR6060-16	6	6.5	2.5	47	4	6	16	28.5
CWR6060-24	6	6.5	2.5	47	4	6	24	21.95

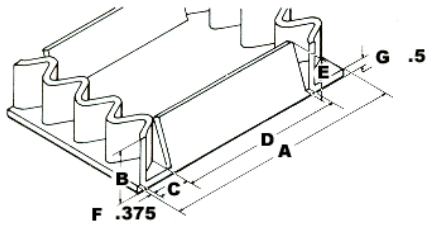
Model	Angle of Incline																	
	0			15			30			45			60			25		
	Surcharge Angle																	
	10	20	30	10	20	30	10	20	30	10	20	30	10	20	30	10	20	30
CWR2460-0	2499	2704	2938															
CWR2460-8				2271	2403	2403	1855	2137	2402	1351	1703	2000	806	1145	1536	448	672	961
CWR2460-16				2202	2482	2482	1315	1917	2482	686	1030	1623	403	572	832	224	337	481
CWR2460-24				2079	2509	2509	880	1643	2509	457	687	1195	269	382	555	150	224	321
CWR3060-0	4144	4657	5244															
CWR3060-8				3600	3808	3808	2942	3389	3808	2142	2699	3170	1278	1815	2434	710	1066	1523
CWR3060-16				3490	3935	3935	2085	3039	3935	1088	1634	2574	639	908	1320	355	533	762
CWR3060-24				3296	3978	3978	1395	2605	3978	726	1089	1895	426	605	880	237	355	508
CWR3660-0	5972	6940	8041															
CWR3660-8				4930	5215	5215	4028	4640	5215	2933	3696	4341	1750	2486	3333	973	1461	2086
CWR3660-16				4779	5388	5388	2856	4162	5389	1490	2237	3524	875	1243	1807	486	730	1043
CWR3660-24				4513	5447	5447	1910	3565	5446	993	1491	2595	583	828	1204	324	487	695
CWR4260-0	7822	9382	11156															
CWR4260-8				6259	6621	6621	5115	5892	6621	3724	4692	5511	2222	3156	4232	1234	1854	2648
CWR4260-16				6069	6842	6842	3626	5284	6842	1891	2839	473	1111	1578	2293	618	927	1325
CWR4260-24				5731	6916	6916	2425	4527	6915	1261	1893	3295	741	1052	1530	411	618	882
CWR4860-0	9861	12154	14761															
CWR4860-8				7588	8027	8027	6200	7142	8027	4515	5689	6682	2693	3826	5130	1497	2248	3211
CWR4860-16				7358	8295	8295	4395	6406	8295	2293	3442	5423	1347	1913	2781	748	1124	1606
CWR4860-24				6948	8384	8384	2940	5489	8384	1528	2295	3994	898	1276	1854	499	750	1071
CWR5460-0	12032	15198	18799															
CWR5460-8				8918	9434	9434	7288	8394	9433	5305	6685	7853	3165	4497	6029	1758	2641	3773
CWR5460-16				8646	9748	9748	5165	7528	9748	2695	4046	6374	1583	2248	3268	879	1320	1886
CWR5460-24				5764	6498	6498	3444	5019	6499	1797	2697	4249	1055	1499	2179	586	881	1258
CWR6060-0	14335	18516	23271															
CWR6060-8				10248	10840	10840	8373	9645	10840	6097	7682	9024	3638	5167	6928	2021	3035	4335
CWR6060-16				9935	11201	11201	5935	8650	11201	3097	4649	7324	1818	2583	3755	1011	1518	2168
CWR6060-24				9381	11321	11321	3971	7412	11322	4333	5368	7663	1212	1714	2503	674	1012	1445



**CamWall No Recess (CW)**  
 3" (30) – 45" (45) Sidewall Height  
 Use On "ST" Applications  
 Capacity – ft 3/hr @ 100 FPM Speed

Model	A	B	C	D	E	Cleat Sp.	Belt Wt. (#/FT)
CW1830-0	18	3.375	1.75	14		0	5.625
CW1830-6	18	3.375	1.75	14	2.625	6	7.785
CW1830-12	18	3.375	1.75	14	2.625	12	6.75
CW2430-0	24	3.375	1.75	20		0	6.875
CW2430-6	24	3.375	1.75	20	2.625	6	10
CW2430-12	24	3.375	1.75	20	2.625	12	8.5
CW3030-0	30	3.375	1.75	26		0	8
CW3030-6	30	3.375	1.75	26	2.625	6	12.125
CW3030-12	30	3.375	1.75	26	2.625	12	10
CW3630-0	36	3.375	1.75	32		0	9.125
CW3636-6	36	3.375	1.75	32	2.625	6	14.25
CW3630-12	36	3.375	1.75	32	2.625	12	11.625
CW2445-0	24	4.875	2.5	18.5		0	8
CW2445-6	24	4.875	2.5	18.5	4.5	6	13.5
CW2445-12	24	4.875	2.5	18.5	4.5	12	11
CW3045-0	30	4.875	2.5	24.5		0	9.25
CW3045-6	30	4.875	2.5	24.5	4.5	6	16.25
CW3045-12	30	4.875	2.5	24.5	4.5	12	13
CW3645-0	36	4.875	2.5	30.5		0	10.375
CW3645-6	36	4.875	2.5	30.5	4.5	6	19
CW3645-12	36	4.875	2.5	30.5	4.5	12	15
CW4245-0	42	4.875	2.5	36.5		0	11.5
CW4245-6	42	4.875	2.5	36.5	4.5	6	21.75
CW424S-12	42	4.875	2.5	36.5	4.5	12	17
CW4845-0	48	4.875	2.5	42.5		0	12.625
CW4845-6	48	4.875	2.5	42.5	4.5	6	24.625
CW4845-12	48	4.875	2.5	42.5	4.5	12	19.25

Model	Angle of Incline																	
	0			15			30			45			60			25		
	10	20	30	10	20	30	10	20	30	10	20	30	10	20	30	10	20	30
CW1830-0	1940	2304	2742															
CW1830-6				1185	1320	1320	868	1129	1324	583	771	1021	299	400	582	176	261	349
CW1830-12				1144	1425	1425	471	839	1373	223	352	577	160	221	311	91	136	184
CW2430-0	2979	3760	4646															
CW2430-6				1693	1885	1885	1239	1612	1891	883	1101	1458	427	571	831	251	372	499
CW2430-12				1635	2036	2036	672	1197	1961	319	503	824	227	314	443	130	195	263
CW3030-0	4144	5498	6987															
CW3030-6				2200	2450	2450	1611	2096	2459	1083	1432	1896	555	742	1080	327	484	648
CW3030-12				2126	2647	2647	875	1557	2550	414	655	1072	296	409	576	169	254	343
CW3630-0	5520	7517	9767															
CW3636-6				2709	3016	3016	1982	2579	3026	1334	1762	2333	683	914	1329	402	595	798
CW3630-12				2616	3257	3257	1077	1917	3139	510	806	1319	364	503	709	208	312	421
CW2445-0	3751	4420	5180															
CW2445-6				3010	3179	3179	2472	2837	3180	1819	2274	2659	1092	1551	2059	606	911	1301
CW2445-12				952	3324	3324	1778	2576	3325	929	1395	2186	546	776	1127	303	455	651
CW3045-0	5238	6411	7745															
CW3045-6				3986	4211	4211	3274	3757	4211	2410	3012	3522	1446	2053	2725	803	1206	1723
CW3045-12				3910	4402	4402	2355	3410	4402	1230	1847	2895	723	1027	1492	402	604	862
CW3645-0	6856	8674	10742															
CW3645-6				4962	5242	5242	4075	4677	5242	3000	3749	4385	1800	2556	3393	1000	1502	2146
CW3645-12				4867	5481	5481	2932	4246	5481	1532	2299	3604	901	1279	1858	500	751	1073
CW4245-0	8607	11211	14172															
CW4245-6				5939	6274	6274	4877	5597	6274	3589	4487	5247	2155	3060	4155	1196	1797	2568
CW424S-12				5825	6559	6559	3508	5081	6559	1833	2752	4313	1077	1529	2223	598	898	1283
CW4845-0	10490	14020	18035															
CW4845-6				6915	7304	7304	5678	6517	7305	4179	5224	6110	2509	3563	4729	1393	2093	2990
CW4845-12				6783	7637	7637	4084	5916	7636	2134	3204	5022	1254	1781	2588	697	1046	1495



CamWall No Recess (CW)  
 6" (60) Sidewall Height  
 Use On "ST" Applications  
 Capacity – ft 3/hr @ 100 FPM Speed

Model	A	B	C	D	E	Cleat Sp.	Belt Wt. (#/FT)
CW2460-0	24	6.5	2.5	19		0	11.5
CW2460-8	24	6.5	2.5	19	6	8	18
CW2460-16	24	6.5	2.5	19	6	16	14.5
CW2460-24	24	6.5	2.5	19	6	24	11.68
CW3060-0	30	6.5	2.5	25		0	12.75
CW3060-8	30	6.5	2.5	25	6	8	21.5
CW3060-16	30	6.5	2.5	25	6	16	17
CW3060-24	30	6.5	2.5	25	6	24	13.44
CW3660-0	36	6.5	2.5	31		0	14.25
CW3660-8	36	6.5	2.5	31	6	8	25
CW3660-16	36	6.5	2.5	31	6	16	19.5
CW3660-24	36	6.5	2.5	31	6	24	15.21
CW4260-0	42	6.5	2.5	37		0	15.75
CW4260-8	42	6.5	2.5	37	6	8	29
CW4260-16	42	6.5	2.5	37	6	16	22.5
CW4260-24	42	6.5	2.5	37	6	24	17.46
CW4860-0	48	6.5	2.5	43		0	17.25
CW4860-8	48	6.5	2.5	43	6	8	32.5
CW4860-16	48	6.5	2.5	43	6	16	25
CW4860-24	48	6.5	2.5	43	6	24	19.23
CW5460-0	54	6.5	2.5	49		0	19
CW5460-8	54	6.5	2.5	49	6	8	36.25
CW5460-16	54	6.5	2.5	49	6	16	27.5
CW5460-24	54	6.5	2.5	49	6	24	20.86
CW6060-0	60	6.5	2.5	55		0	20.25
CW6060-8	60	6.5	2.5	55	6	8	40
CW6060-16	60	6.5	2.5	55	6	16	30
CW6060-24	60	6.5	2.5	55	6	24	22.5

Model	Angle of Incline																	
	0			15			30			45			60			75		
	Surcharge Angle																	
	10	20	30	10	20	30	10	20	30	10	20	30	10	20	30	10	20	30
CW2460-0	4938	5644	6446															
CW2460-8				4210	4453	4453	3440	3962	4453	2504	3156	3707	1494	2122	2846	830	1247	1781
CW2460-16				4082	4602	4602	2439	3554	4602	1272	1910	3009	747	1061	1543	415	623	890
CW2460-24				3854	4651	4651	1632	3045	4652	848	1274	2216	498	708	1029	159	416	594
CW3060-0	6773	7995	9384															
CW3060-8				5539	5860	5860	4526	5214	5860	3296	4153	4878	1966	2793	3745	1093	1641	2344
CW3060-16				5370	6055	6055	3208	4676	6055	1674	2513	3959	983	1396	2030	546	821	1172
CW3060-24				5071	6120	6120	2146	3446	6119	1116	1675	2916	655	931	1353	364	547	781
CW3660-0	8740	10618	12755															
CW3660-8				6868	7265	7265	5613	6465	7266	4086	5149	6048	2438	3464	4644	1354	2034	2906
CW3660-16				6659	7508	7508	3978	5798	7508	2075	3116	4909	1219	1732	2517	677	1017	1453
CW3660-24				6288	7588	7588	2661	4968	7588	1384	2078	3616	812	1154	1678	451	678	968
CW4260-0	10840	13515	16558															
CW4260-8				8198	8672	8672	6698	7716	8672	4878	6146	7219	2910	4133	5542	1617	2428	3469
CW4260-16				7948	8961	8961	4748	6920	8961	2477	3719	5859	1455	2067	3004	808	1214	1734
CW4260-24				7505	9057	9057	3177	5930	9057	1651	2479	4315	970	1377	2002	539	810	1157
CW4860-0	13071	16885	20795															
CW4860-8				9527	10078	10078	7785	8967	10078	5668	7142	8389	3382	4804	6441	1879	2821	4031
CW4860-16				9237	10414	10414	5519	8043	10415	2879	4323	6810	1690	2401	3491	940	1411	2016
CW4860-24				8722	10526	10526	3692	6892	10526	1920	2882	5015	1128	1602	2328	627	941	1344
CW5460-0	15435	20128	25465															
CW5460-8				10856	11484	11484	8871	10219	11485	6460	8139	9560	3854	5475	7340	2141	3216	4594
CW5460-16				10526	11868	11868	6289	9165	11867	3281	4926	7760	1927	2737	3979	1071	1608	2297
CW5460-24				9940	11995	11995	4206	7852	11994	2187	3283	5715	1285	1825	2653	714	1072	1531
CW6060-0	17931	23844	30568															
CW6060-8				12186	12891	12891	9958	11470	12891	7250	9135	10730	4325	6144	8238	2404	3610	5157
CW6060-16				11815	13321	13321	7058	10287	13320	3682	5529	8710	2163	3072	4466	1201	1804	2578
CW6060-24				11157	13464	13464	4722	8814	13463	2455	3686	6415	1442	2048	2977	801	1203	1719



## CamFlex

Cambelt International Corp. once again demonstrates its leadership in the field of specialty belt conveyors. Backed by over 20 years of experience, and a solid reputation for quality products, innovative engineering and integrity, Cambelt offers a wide range of configurations and sizes in the unique camflex conveying system.

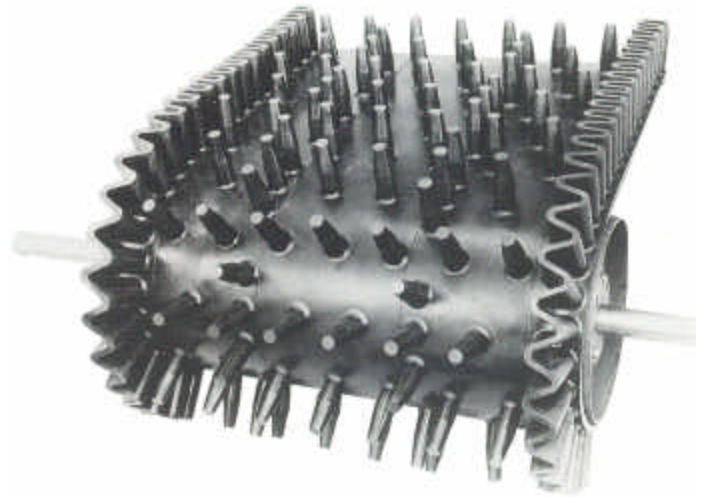


Soda Ash-Unloading 80,000 lb. (trailer & pup) in 20 min. (120 TPH)

Cambelt's patented and proven equipment using our own fully molded CamFlex belting offers many advantages in both cost and operation. Take a look at what the Cambelt CamFlex alternative can offer you; higher capacities, less product degradation, fewer dust control problems, and lower costs- and that means all costs... equipment costs, operating costs, and maintenance costs.

CamFlex fully molded flexible sidewall belts are unconditionally guaranteed against delamination of the sidewall from the base belt. They don't come apart.

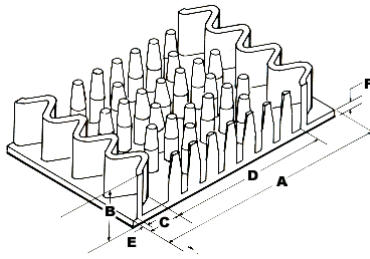
Lime-150 TPH.



Cement-120 TPH



Boiler Coal-Loading a 24 Ton Trailer in 4 minutes (360 TPH).



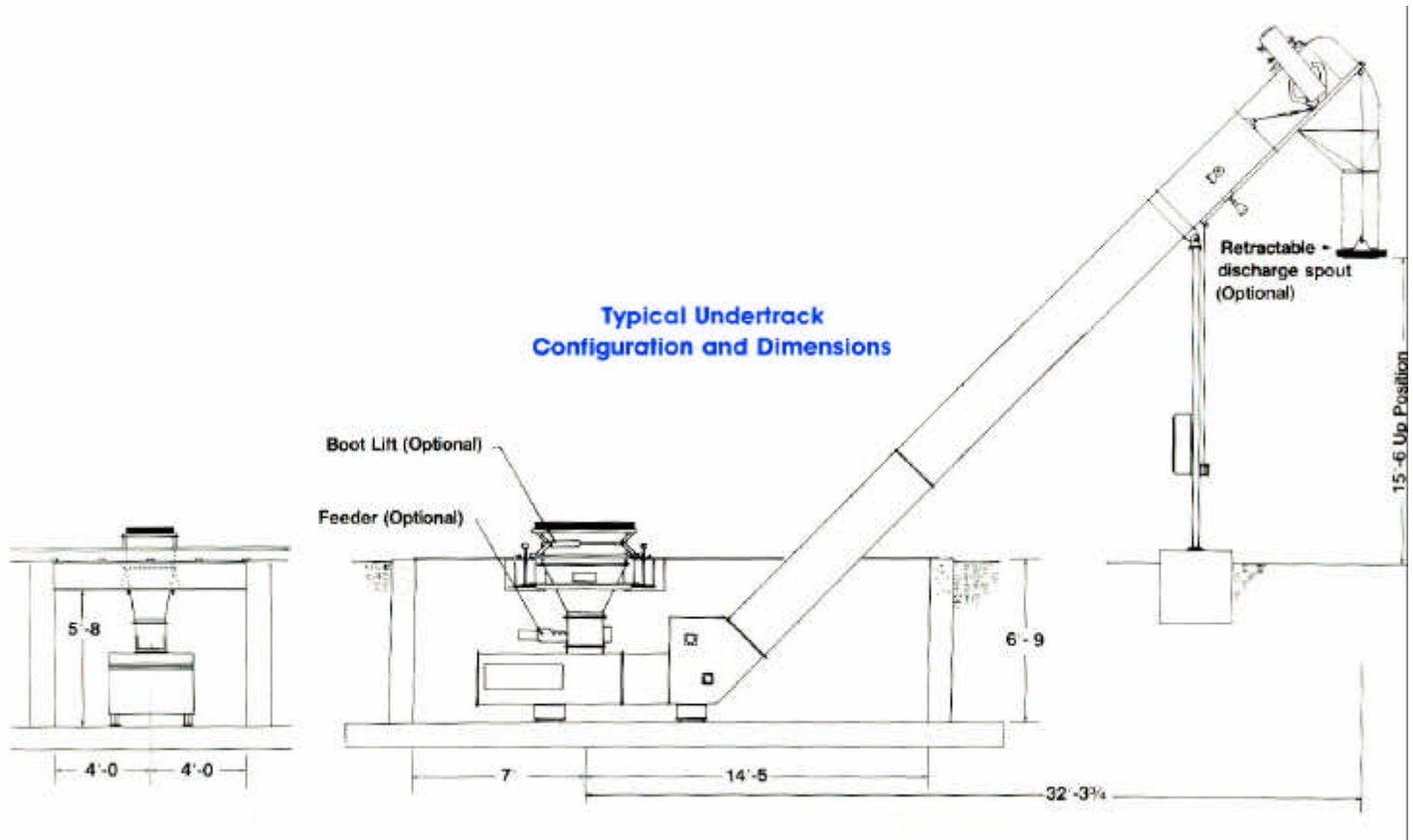
**CamFlex No Recess (CF)**  
 3" (30) 4.5" (45) 6" (60) Side Wall Height  
 Use on ST, Z & L Applications

Model	A	B	C	D	E	F	Belt Wt.
CF1830	18	3.375	1.75	14	0.25	0.375	7.25
CF2430	24	3.375	1.75	20	0.25	0.375	9.25
CF3030	30	3.375	1.75	26	0.25	0.375	11.25
CF3630	36	3.375	1.75	32	0.25	0.375	13.25
CF2445	24	4.875	2	18.5	0.25	0.375	8.875
CF3045	30	4.875	2	24.5	0.25	0.375	10.5
CF3645	36	4.875	2	30.5	0.25	0.375	12
CF4245	42	4.875	2	36.5	0.25	0.375	13.5
CF4845	48	4.875	2	42.5	0.25	0.375	15
CF2460	24	6.5	2	18.25	0.375	0.5	15.25
CF3060	30	6.5	2	24.25	0.375	0.5	17.125
CF3660	36	6.5	2	30.25	0.375	0.5	20
CF4260	42	6.5	2	36.25	0.375	0.5	22
CF4860	48	6.5	2	42.25	0.375	0.5	24.25
CF5460	54	6.5	2	48.25	0.375	0.5	26.375
CF6060	60	6.5	2	54.25	0.375	0.5	28.5

Model	Angle of Incline																		
	0					15					30					45			
	Belt Speed (FPM)																		
	100	200	300	400	500	100	200	300	400	500	100	200	300	400	500	300	400	500	600
CF1830	1050	2100	3150	4200	5250	1050	2100	3150	4200	5250	918	1836	2754	3672	4590	2559	3412	4265	5118
CF2430	1500	3000	4500	6000	7500	1500	3000	4500	6000	7500	1312	2624	3936	5248	6560	3656	4875	6093	7311
CF3030	1950	3900	5850	7800	9750	1950	3900	5850	7800	9750	1705	3410	5115	6820	8525	4753	6337	7222	9506
CF3630	2400	4800	7200	9600	12000	2400	4800	7200	9600	12000	2100	4200	6300	8400	10500	5850	7800	9750	11700
CF2445	2081	4162	6243	8324	10405	2081	4162	6243	8324	10405	1821	3642	5463	7284	9105	5073	6764	8455	10146
CF3045	2756	5512	8268	11024	13780	2756	5512	8268	11024	13780	2411	4822	7233	9644	12055	6718	8957	11197	13436
CF3645	3431	6862	10293	13724	17155	3431	6862	10293	13724	17155	3002	6004	9006	12008	15010	8363	11151	13938	16726
CF4245	4106	8212	12318	16424	20530	4106	8212	12318	16424	20530	3592	7184	10776	14368	17960	10008	13344	16680	20016
CF4845	4781	9562	14343	19124	23905	4781	9562	14343	19124	23905	4183	8366	12549	16732	20915	11654	15539	19423	23308
CF2460	2737	5474	8211	10948	13685	2737	5474	8211	10948	13685	2395	4790	7185	9580	11975	6672	8896	11120	13344
CF3060	3637	7274	10911	14548	18185	3637	7274	10911	14546	18185	3182	6364	9546	12728	15910	8866	11821	14777	17732
CF3660	4537	9074	13611	18148	22685	4537	9074	13611	18148	22685	3970	7940	11910	15880	19850	11060	14747	18433	22120
CF4260	5437	10874	16311	21748	27185	5437	10874	16311	21748	27185	4757	9514	14271	19028	23785	13253	17671	22088	26506
CF4860	6337	12674	19011	25348	31685	6337	12674	19011	25348	31685	5545	11090	16635	22180	27725	15447	20596	25745	30894
CF5460	7237	14474	21711	28948	36185	7237	14474	21711	28948	36185	6332	12664	18996	25328	31660	17641	23521	29402	35282
CF6060	8137	16274	24411	32548	40685	8137	16274	24411	32548	40685	7121	14242	21363	28484	35605	19835	26447	33058	39670

**Optional Equipment Available**

- Boot lift for dust tight fit up to railcar hopper.
- Rotary Feeder with variable speed drive
- Retractable discharge spout
- Dust collection system (primarily for filtering displaced air from receiving trailer or vessel)

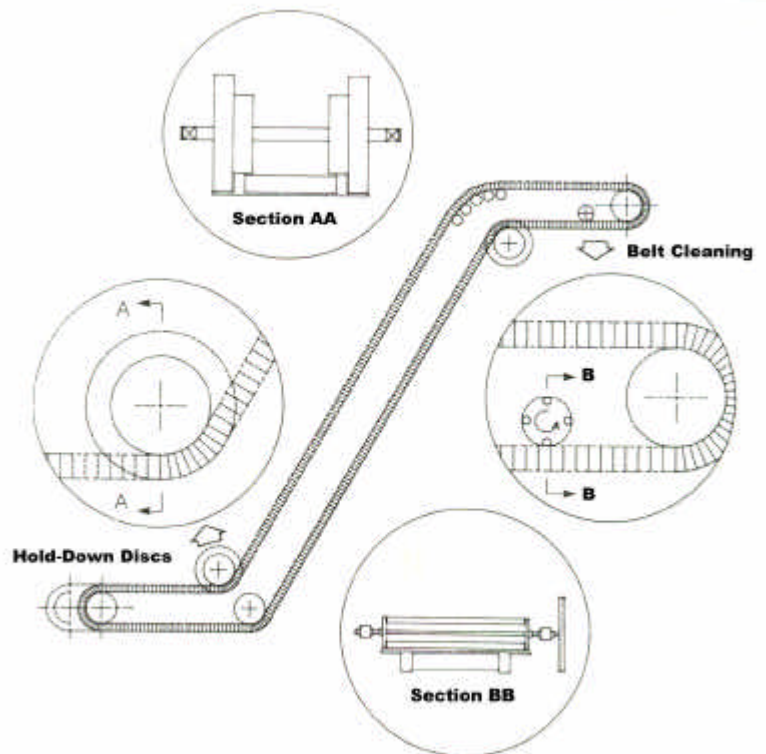


#### Hold Down Disc Assembly

CamWall Conveyors utilizing “L” and “Z” configurations require the use of hold-down disc assemblies in the transition of the belt from horizontal-to-incline-to-horizontal planes. Prolonged belt life is greatly aided by the use of properly designed hold-down disc assemblies. Cambelt provides unmatched engineering expertise in high incline belt conveyors.

#### Belt Cleaning Systems

CamFlex belts and cleated CamWall belts do not allow for conventional methods of belt cleaning such as belt scrapers. In most cases, the most effective method of cleaning these belts is a rotary belt “thumper”. The intense vibration imposed on the belt by the rotary belt thumper will dislodge most materials that otherwise would be “carried back” with the return belt. Consult the factory for other alternative methods of belt cleaning.



## Unconditional Guarantee

Cambelt's fully molded flexible sidewall belt is guaranteed against delamination of the sidewall or cleat from the base belt... or you may return it to our plant for credit.



**CAMBELT INTERNATIONAL CORP.**

**UNCONDITIONAL  
GUARANTEE**

ON OUR FULLY MOLDED FLEXIBLE SIDEWALL BELT  
AGAINST DELAMINATION OF THE SIDEWALL  
OR CLEAT FROM THE BASE BELT — OR  
YOU MAY RETURN IT TO OUR PLANT FOR CREDIT

*David H. Campbell*  
CHAIRMAN OF THE BOARD

**CamFlex**      **CamWall**

 **Cambelt**  
INTERNATIONAL CORP.